

BLT-Mxxxx & HKK-Dxxxx

EUR HUK

LED

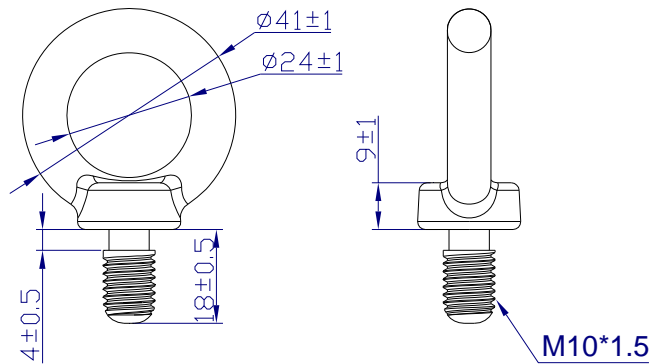
|  | M10  | BLT-M1000 |
|--|------|-----------|
|  | M12  | BLT-M1200 |
|  | DN15 | HKK-D1500 |

| EUR-096SxxxDT/DV/ST/SV | BLT-M1000 | HKK-D1500 |
|------------------------|-----------|-----------|
| EUR-150SxxxDT/DV/ST/SV | BLT-M1000 | HKK-D1500 |
| EUR-200SxxxDT/DV/ST/SV | BLT-M1000 | HKK-D1500 |
| EUR-240SxxxDT/DV/ST/SV | BLT-M1200 | HKK-D1500 |
| EUR-320SxxxDT/DV/ST/SV | BLT-M1200 | HKK-D1500 |
| HUK-096SxxxDT/DV       | BLT-M1200 | HKK-D1500 |
| HUK-150SxxxDT/DV       | BLT-M1200 | HKK-D1500 |

|  |   |       |       |           |
|--|---|-------|-------|-----------|
|  | - | -     | 20 kg | BLT-M1000 |
|  | - | -     | 20 kg | BLT-M1200 |
|  | - | -     | 20 kg | HKK-D1500 |
|  | - | 105 g | -     | BLT-M1000 |
|  | - | 130 g | -     | BLT-M1200 |
|  | - | 40 g  | -     | HKK-D1500 |

|           |     |      |   |
|-----------|-----|------|---|
| BLT-M1000 | 120 | M10  | / |
| BLT-M1200 | 120 | M12  | / |
| HKK-D1500 | 120 | DN15 | / |

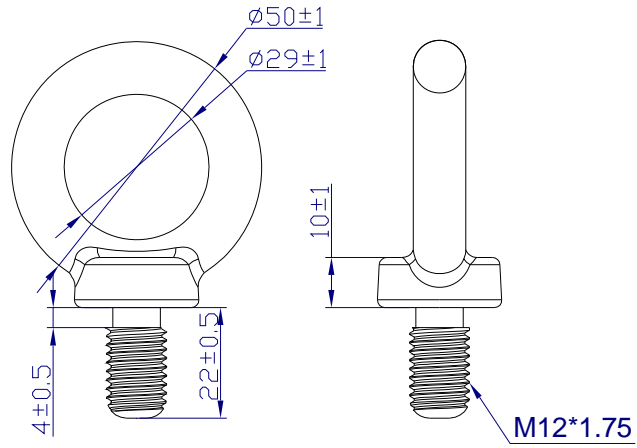
**BLT-M1000**





PROJ:

:  $\pm 1$

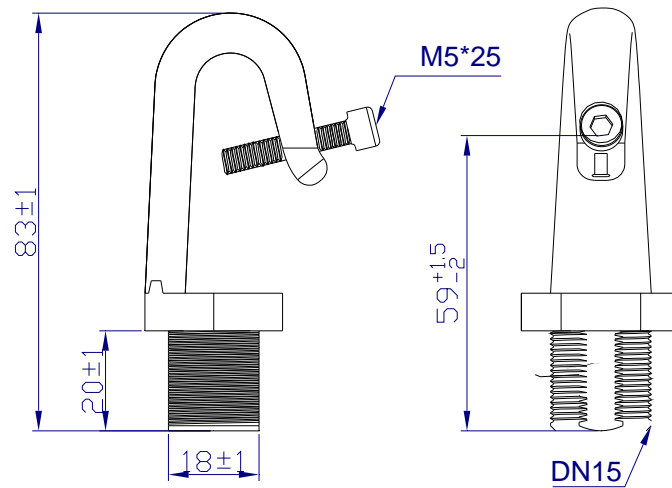
BLT-M1200



PROJ:  

:  $\pm 1$

HKK-D1500





BLT-Mxxxx & HKK-Dxxxx

Rev. A

|            |   |  |   |   |
|------------|---|--|---|---|
|            |   |  |   |   |
|            |   |  |   |   |
| 2018-08-24 | A |  | / | / |