

- 90%
- 0.99
-
- 4kV, 6kV
- IP67
-
- class 2 SELV
- 5



EUV-096xxxST

96W IP67

90-305Vac

				1	120Vac	220Vac		

- 1 220Vac, 25 100%
- 2 Class 2 &
- 3 Class 2 () Class 2
- 4 Class 2 &
- 5 Class 2
- 6 SELV

AC	90 Vac	-	305 Vac	

	47Hz	-	63 Hz	
	-	-		277Vac/ 60Hz
				100% 100Vac
	-	-		100% 220Vac
				220Vac 25 10%-10%
I ² t				= 2mS
				100-277Vac, 50-60Hz, 75%-100%
				(72W-96W)

				: 20MHz
				0.1uF 10uF
				/
				/
				120Vac 75% ~ 100%
				220Vac 75% ~ 100%
/				
				/ 1 A/uS
				: 25% ~ 75%
	-	0.03%/	-	=0°C ~Tc

-		o		

INVENTRONICS

EUV-096SxxxST

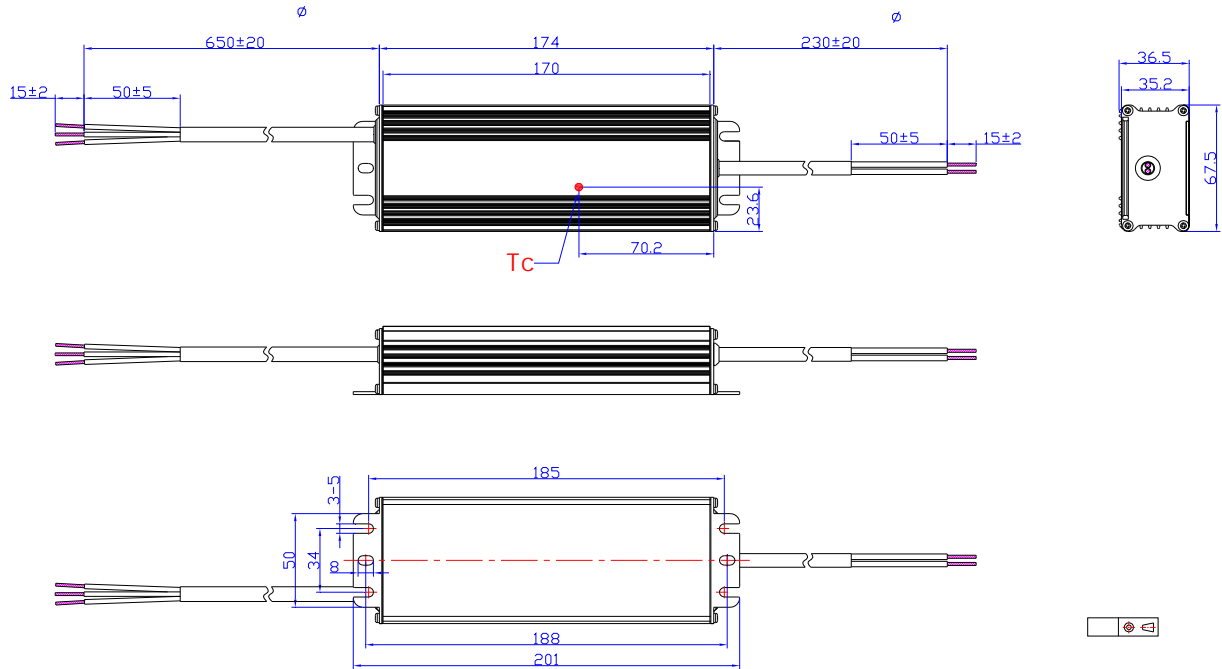
Rev. L

96W IP67

--	--	--	--	--

EMI	
EMS	

25°C



RoHS

RoHS 2011/65/EU

EU 2015/863

2012-01-12	A		/	/	
2012-5-17	B	-	/	1%	
2012-06-08	C		/	/	
			/		
2012-7-12	D		/		
		EN 61000-4-5			
2012-7-12	F				
2012-8-6	G	SELV	/		
			140 μs	2 mS	
		/	/		
2012-10-17	H	MTBF	/		
			/		
		PF THD	/		
2013-01-10	I				
2018-10-26	J		/		
			/		
			/		
			/		
			0.03%/	0.03%/	
			/		
			/		

2018-10-26	J		/	
			/	
2019-09-20	K	KS	/	
		(/)	(72W-96W)	
			/	
			/	