

- 
- 
- 
- 
- 
- 
- 
- 
- 



	1			2			3
					120Vac	220Vac	
24 Vdc	90 ~ 305 Vac	0~1500 mA	36 W	85%	0.96	0.95	EUV-036S024SV
36 Vdc	90 ~ 305 Vac	0~1000 mA	36 W	86%	0.96	0.95	EUV-036S036SV
48 Vdc	90 ~ 305 Vac	0~750 mA	36 W	87%	0.96	0.95	EUV-036S048SV

	90 Vac	-	305 Vac	
	47 Hz	-	63 Hz	
	-	-	0.75 mA	IEC60598-1; 240Vac/ 60Hz
	-	-	0.6 A	
	-	-	0.3 A	
	-	-	60 A	
	-	-	0.2 A <sup>2</sup> s	

	0.90	-	-	
	-	-	20%	

	-5%Vo	-	5%Vo	
Vo = 24 V Vo = 36 V Vo = 48 V	- - -	- - -	3 V 4 V 4 V	
	-	-	10%Vo	
Vo = 24 V Vo = 36 V Vo = 48 V	- - -	- - -	28V 40V 52V	
	-	-	±2%	
	-	-	±3%	
	-	0.6 s	1.0 s	
	-	0.3 s	0.5 s	
	-	0.2%/°C	-	°

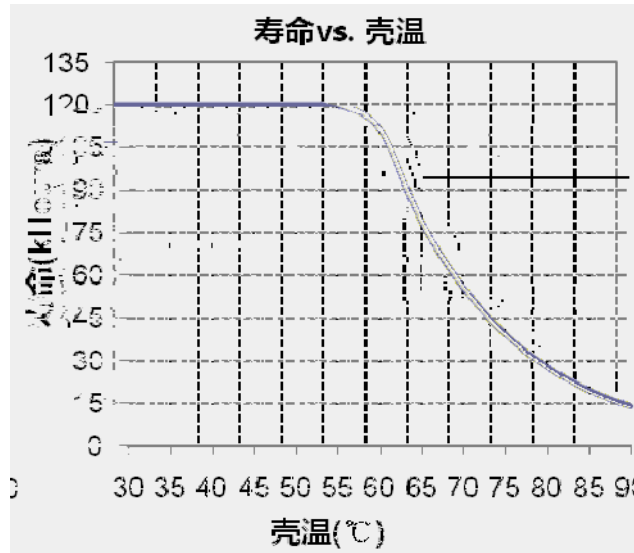
°

Vo = 24 V Vo = 36 V Vo = 48 V	83% 84% 85%	84% 85% 86%	- - -	
Vo = 24 V Vo = 36 V Vo = 48 V	84% 85% 86%	85% 86% 87%	- - -	
Vo = 24 V Vo = 36 V Vo = 48 V	84% 85% 86%	85% 86% 87%	- - -	
	371,000 hours	-	-	

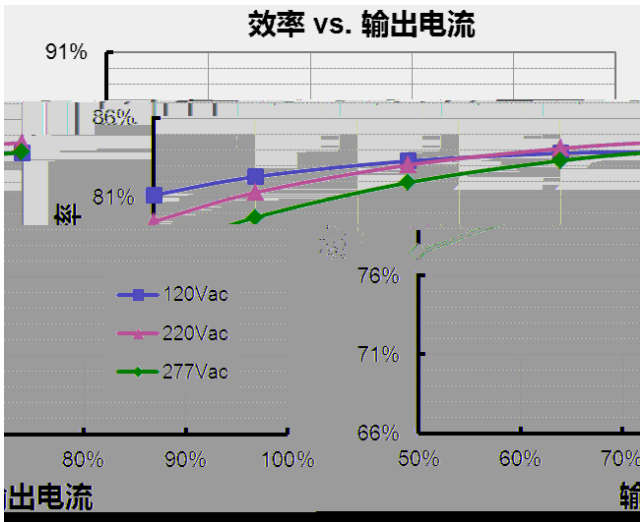
	-	111,700 Hours	-	
	-40 °C	-	+90 °C	
	-40 °C	-	+70 °C	
	-40 °C	-	+85 °C	
	-	520 g		

o

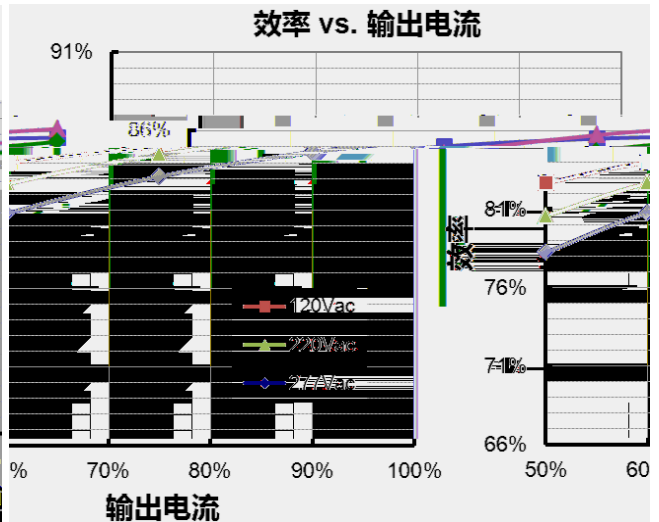
CE	EN 61347-1, EN61347-2-13
CCC	GB 19510.1, GB 19510.14
KS	KS C 7655
<b>EMI</b>	
EN 55015 <sup>(1)</sup>	Conducted Emission Test & Radiated Emission Test
EN 61000-3-2	Harmonic current emissions
EN 61000-3-3	Voltage fluctuations & flicker
<b>EMS</b>	
EN 61000-4-2	Electrostatic Discharge (ESD): 8 kV air discharge, 4 kV contact discharge
EN 61000-4-3	Radio-Frequency Electromagnetic Field Susceptibility Test-RS
EN 61000-4-4	Electrical Fast Transient / Burst-EFT
EN 61000-4-5	Surge Immunity Test: AC Power Line: line to line 4 kV, line to earth 6 kV
EN 61000-4-6	Conducted Radio Frequency Disturbances Test-CS
EN 61000-4-8	Power Frequency Magnetic Field Test
EN 61000-4-11	Voltage Dips
EN 61547	Electromagnetic Immunity Requirements Applies To Lighting Equipment



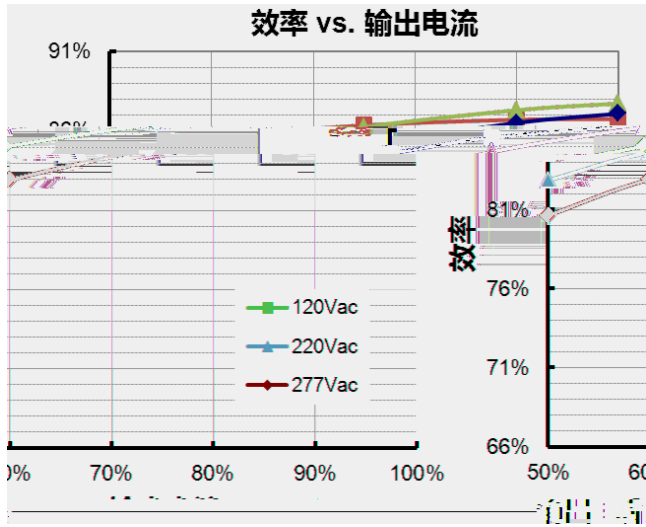
EUV-036S024SV  
效率 vs. 输出电流



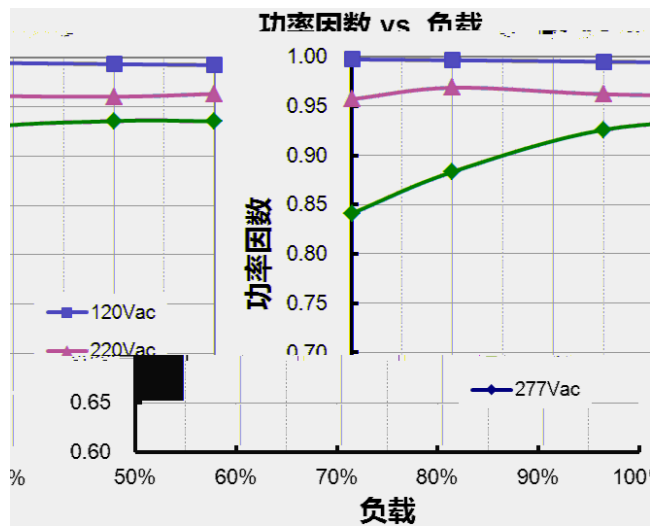
EUV-036S036SV  
效率 vs. 输出电流



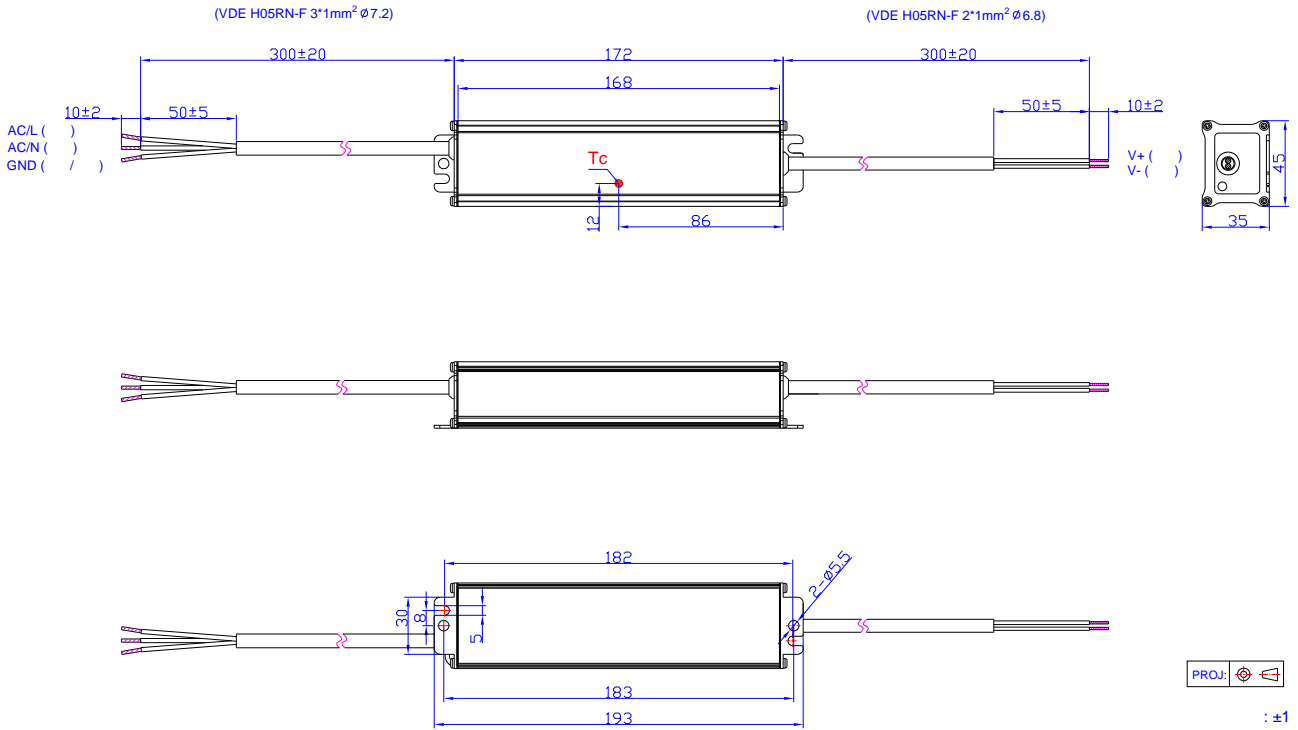
EUV-036S048SV  
效率 vs. 输出电流



功率因数 vs. 负载



	1.1 lo	1.4 lo	1.70 lo	



RoHS

2012-04-24				
2012-05-25				
2012-06-06				
2012-07-03				
2012-7-12				
2012-7-30				
2012-8-21				
2012-11-27			Min 50,000hrs	Typical 111,700hrs
2017-09-11				
			480 g	520 g

2017-09-11	I			
2018-04-12	J			