

- THD 10%
- 90.5%
- : 4kV 6kV
-
- Class I
-
- &
- IP67
-



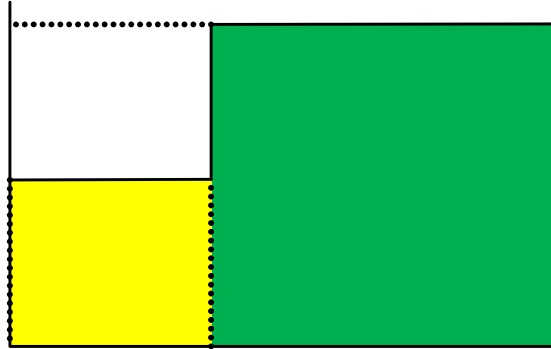
EDC-075S105SV-000x

75W IP67

140-305 Vac

	(1)(2)			(3)	(3)	

- 1 : 220-240Vac
- 2 100-305Vac 100-140Vac
- 3 220 Vac 100%
- 4 BIS -3000



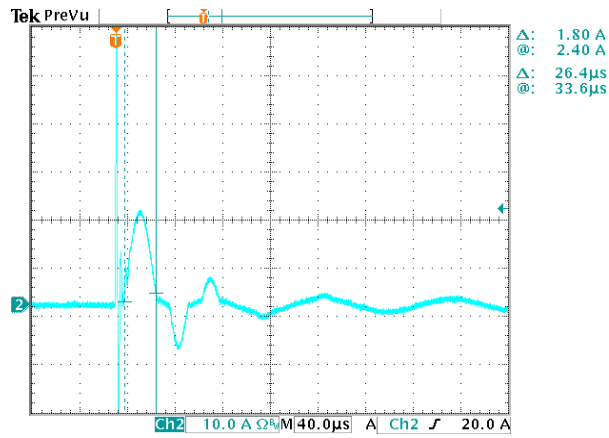
		-		

		°		°

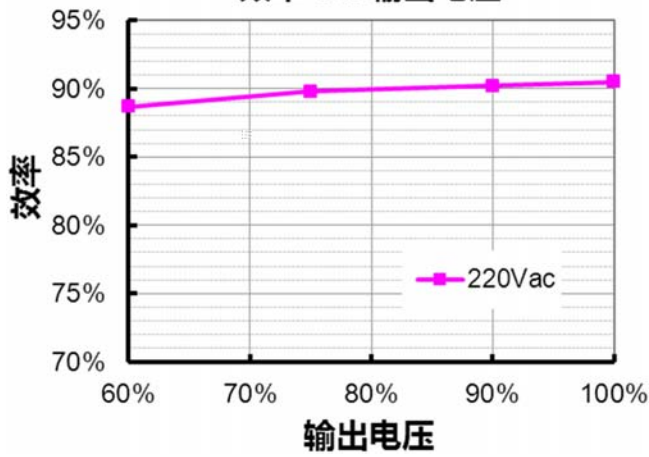
Cree XLamp XP-G2

				100% 25 2.0%
				220Vac 25 80% (MIL-HDBK-217F)
				220Vac 80% 75°C
			°	5
(L × W × H)	4.49 × 2.52 × 1.26			5.16 × 2.52 × 1.26
(L × W × H)	114 × 64 × 32			131 × 64 × 32

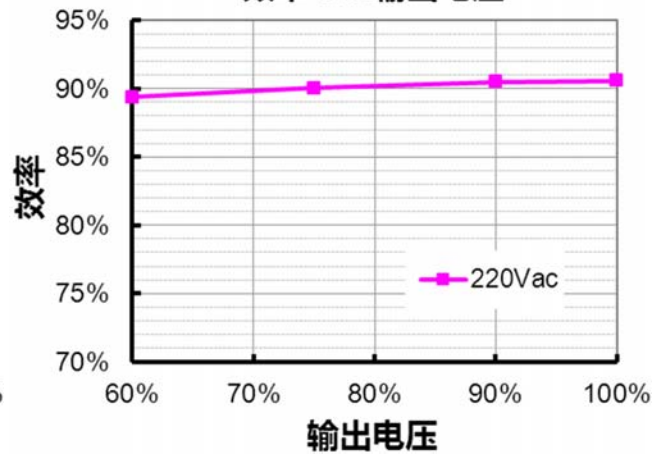
Cree XLamp XP-G2



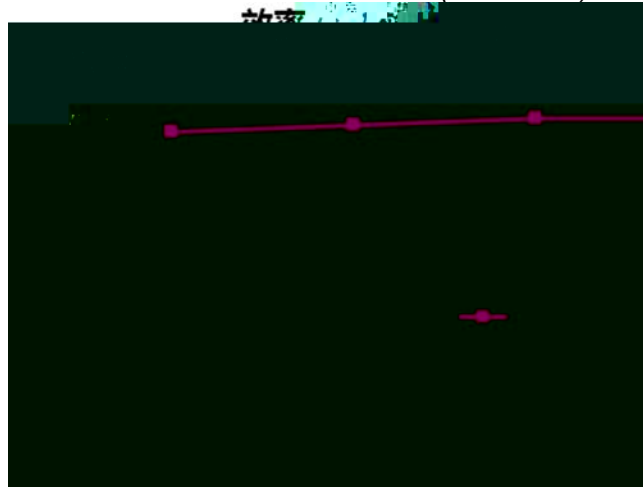
EDC-075S105SV($I_o=1050\text{mA}$)
效率 vs. 输出电压

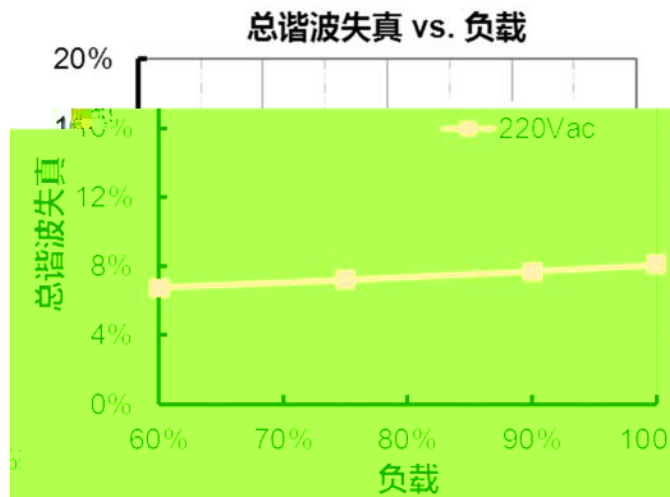
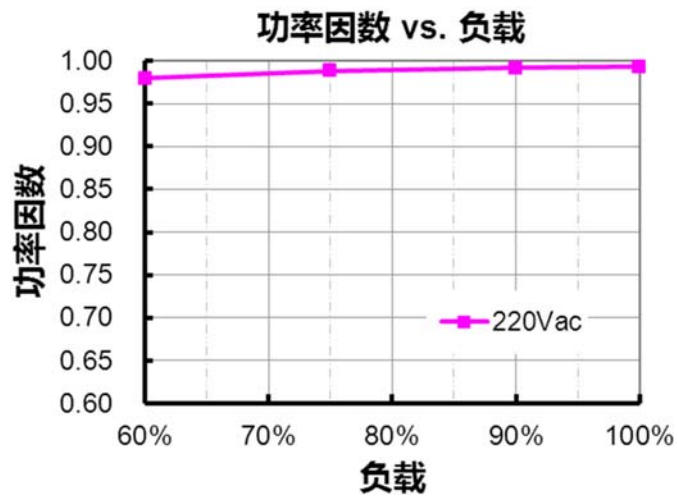


EDC-075S105SV-0004($I_o=860\text{mA}$)
效率 vs. 输出电压

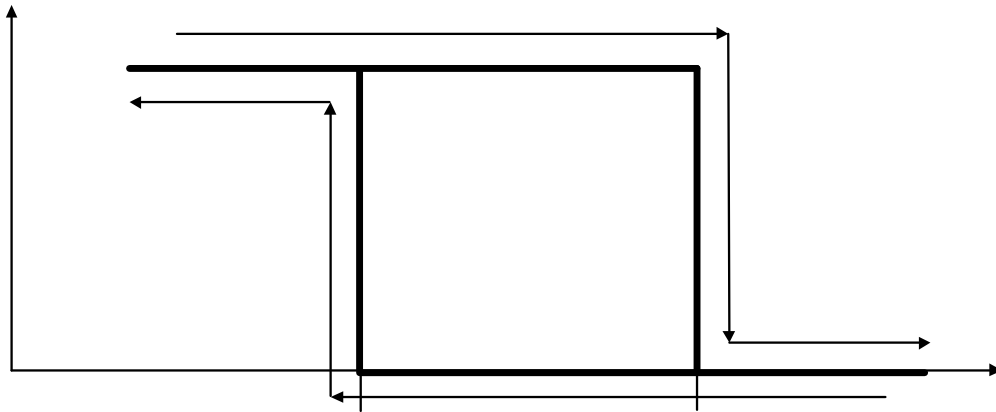


EDC-075S105SV-0007($I_o=700\text{mA}$)
效率 vs. 输出电压

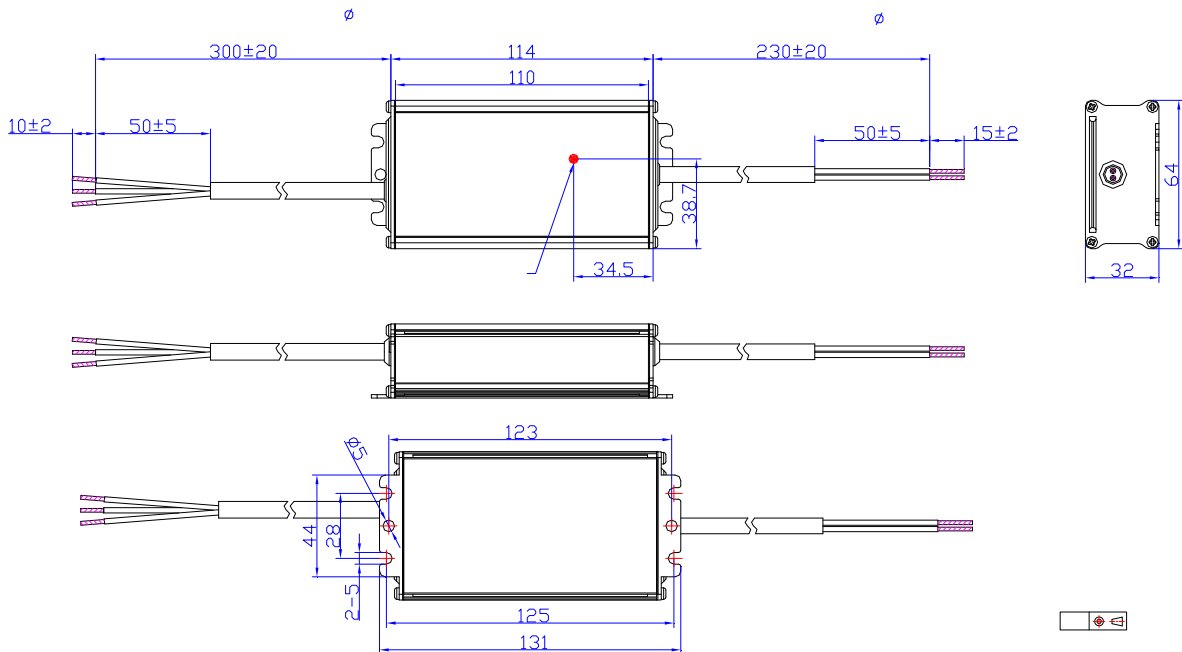




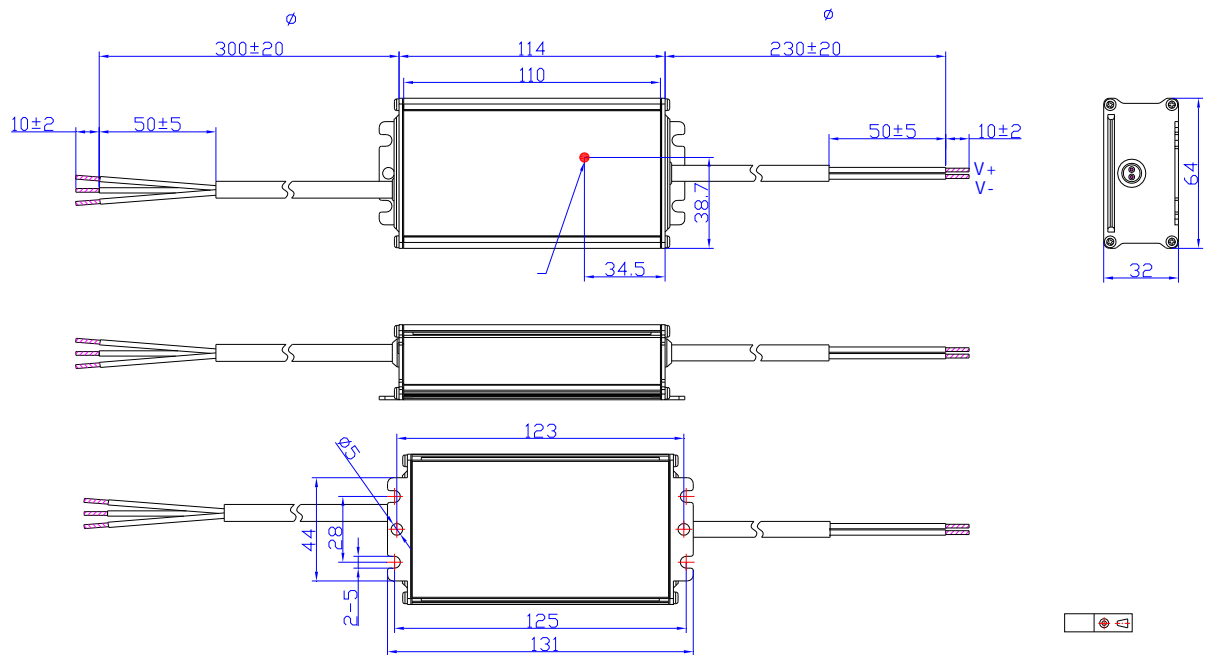
				440Vac	48



EDC-075S105SV-000x



EDC-075S105SV-3000



RoHS

RoHS 2011/65/EU

EU 2015/863

2017-05-26	A		/	/
2018-01-26	B		/	
			/	
		EDC-075S105SV-0007	140V	150V
		EDC-075S105SV-0004	140V	150V
		-	/	
2021-12-1	C			
			4	
			RoHs	